

SERIES OF FREE STANDING STOVES

# K5



# PRICES K5 STOVE



KOZA/K5/130  
KOZA/K5/150



KOZA/K5/S



KOZA/K5/S/N



KOZA/K5/S/W



KOZA/K5/S/W/D

# ADVANTAGES K5

## MAXIMUM USE OF ENERGY

The body and the front of the insert are resistant to high temperatures thanks to the high quality steel used in production.

Combustion of fuel thanks to the Acumotte deflector.

Triple system of combustion chamber's air venting: primary air - secondary air supplied under the grate through holes in a back wall. Additionally clean glass system designed (air curtain).

Efficient burning process & maintaining of temperature to keep the warmth for longer thanks to lining of combustion chamber with Acumotte - heat accumulating material which raises the temperature in the combustion chamber.

Adjusting the external air inlet corresponding to the intensity of burning by using a single regulator, which is below the oven door.

## ECOLOGICAL COMBUSTION

The stove meets the criteria of Ecodesign and the restrictive BImSchV 2 norm setting the maximum CO emission.

## SAFETY AT THE HIGHEST LEVEL

Perfect tightness thanks to the solid welds made in a noble gas shielding.

All steel elements are laser cut and bent on CNC bending machines.

Insert's front equipped with a heat resistant ceramics that withstands temperatures up to 800oC.

## CONVENIENT TO USE

Movable grate and ashpan enables to clean the insert.

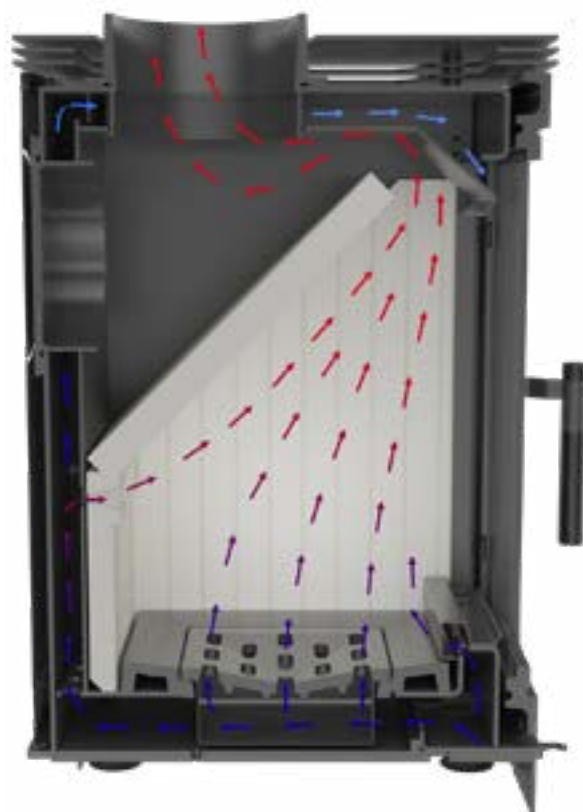
Reduced soot deposition through a system of pure glass (air curtain).

An elegant and comfortable handle.

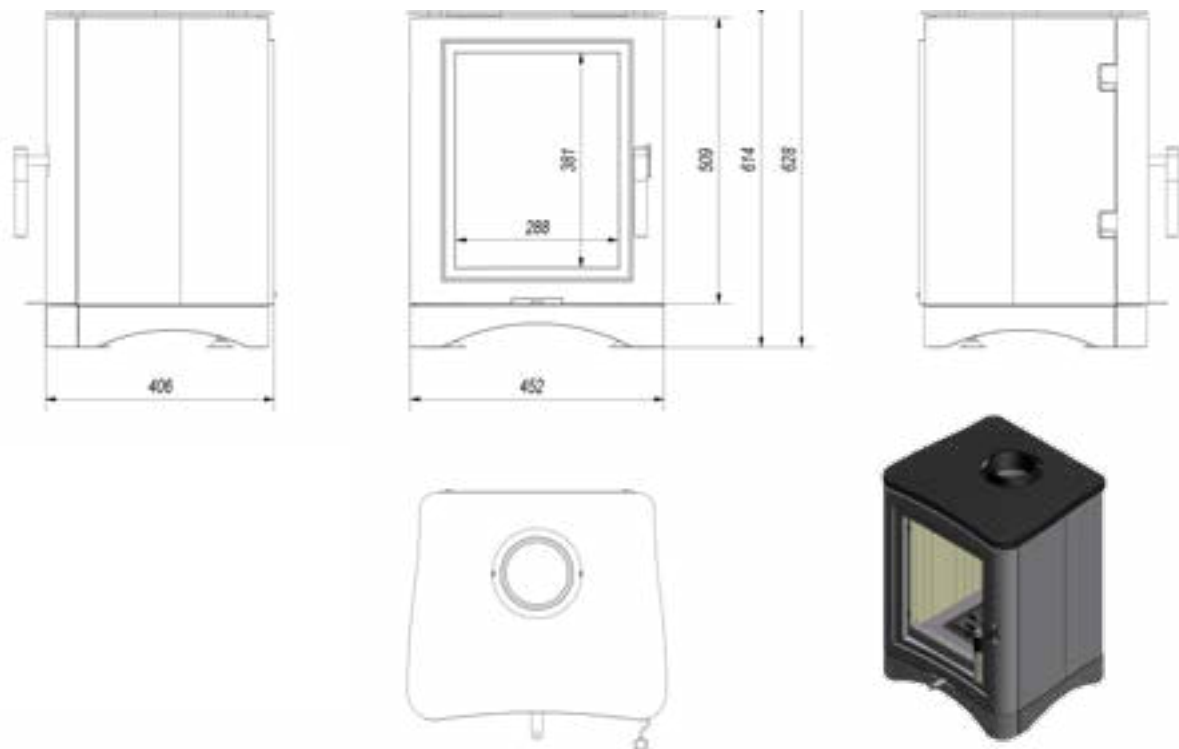
It can be used in a various mounting conditions thanks to adjustable exhaust outlet: on the back or top of the stove (for back exhaust outlet installation purchase of top plate cover is required).

KOZA/K5/130  
KOZA/K5/150  
KOZA/K5/S  
KOZA/K5/S/N  
KOZA/K5/S/W  
KOZA/K5/S/W/D

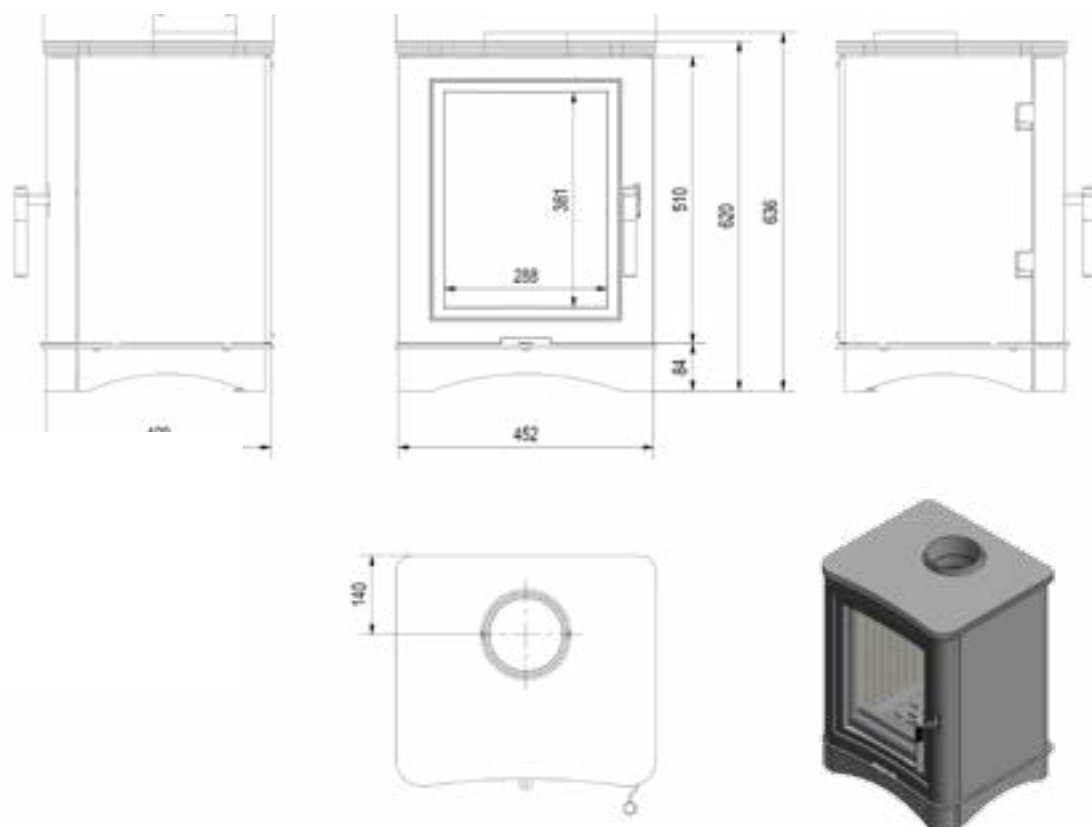
|      |   |
|------|---|
| kW   | 7,0   |
| <kW< | 5.5 - 9.0   |
| ⊖    | 130 / 150   |
| 🔥    | -76%  |
| 📏    | 350   |
| CO   | 0,09 %  |
| 🌡️   | 250,0   |
| 📊    | 107-129   |
| 📄    | boiler steel, liner of the combustion chamber Acumotte, cast iron grate |
| 🔪    | seasonal hardwood (humidity max 20%),<br>brown coal briquettes          |



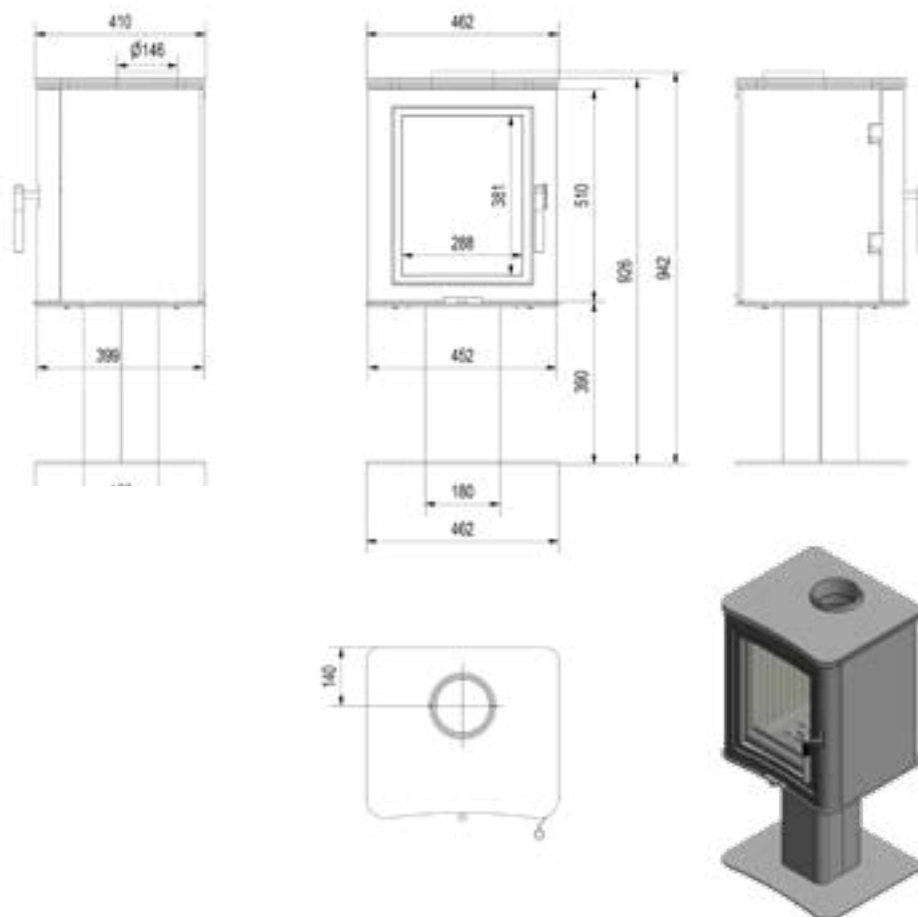
## DIMENSIONS KOZA/K5



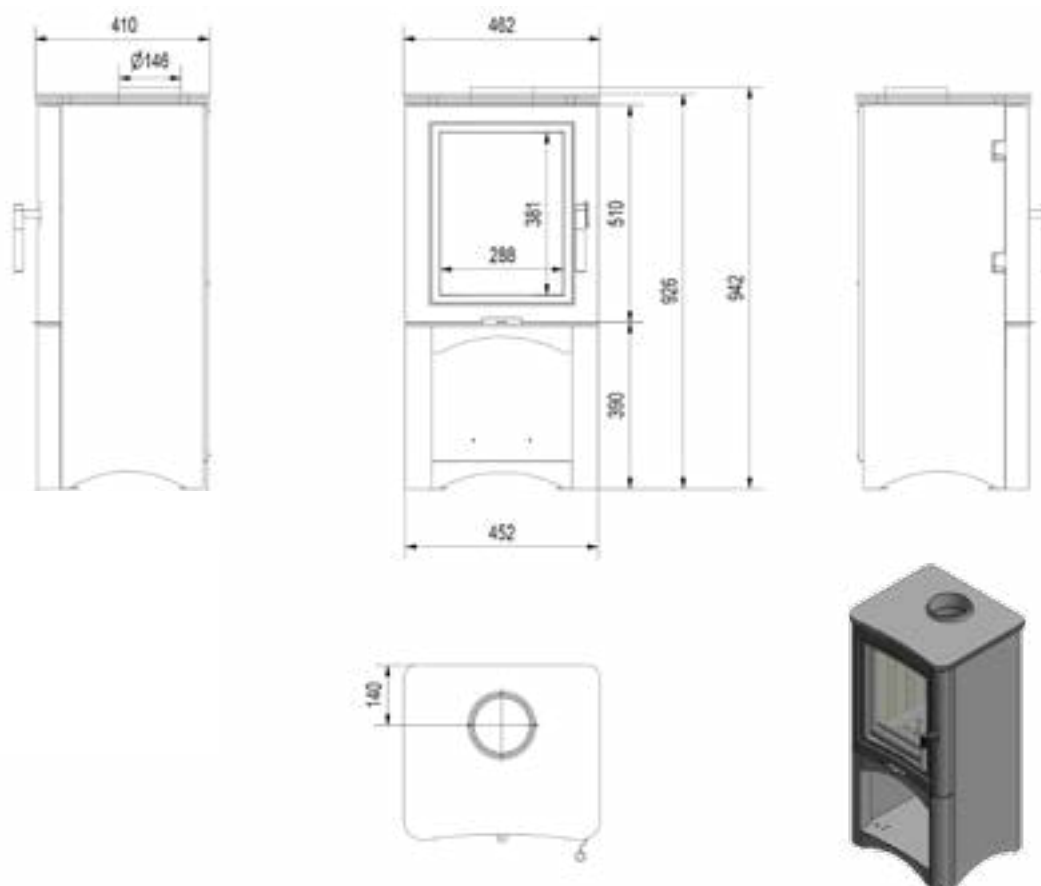
## DIMENSIONS KOZA/K5/S



# DIMENSIONS KOZA/K5/S/N



# DIMENSIONS KOZA/K5/S/W



# DIMENSIONS KOZA/K5/S/W/D

