



 **KUNST**







Our history...

Since the evolution of the human race, fire has been a vital element. It provides us with light, warmth, food, comfort and is a symbol of family unity. With the passage of time and technological progress, some of these needs have been satisfied in other ways, but the link between man and fire persists to this day.

At Kunst, we are manufacturers of wood-burning appliances and have been bringing fire into people's homes for more than 70 years. During these decades, we have evolved in the manufacture of our appliances, always at the forefront of the latest technologies.

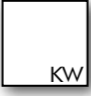
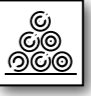


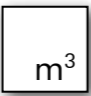










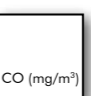

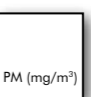

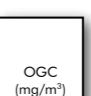
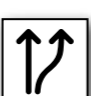
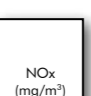
We take care of the whole manufacturing process: from the conception of new ideas, design, prototyping, testing, enamelling, surface procedures, painting, to marketing and commercialization.

In our facilities, we have the most advanced machines in the market. Additionally, we have a laboratory equipped with the most sophisticated instrumentation, where we carry out research and tests to develop new models, obtaining more efficient equipment with lower consumption, always respecting the environment.

We unite the most modern and technological methods with the expert hand of the craftsman in our devices.

Our team is formed by more than two hundred and forty highly qualified professionals: engineers, factory workers and administration staff including big salesforce. We are an international company that is committed to talent and multiculturalism, which gives us incalculable human value. At Kunst, we work hard every day to offer our customers the best of ourselves.

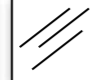









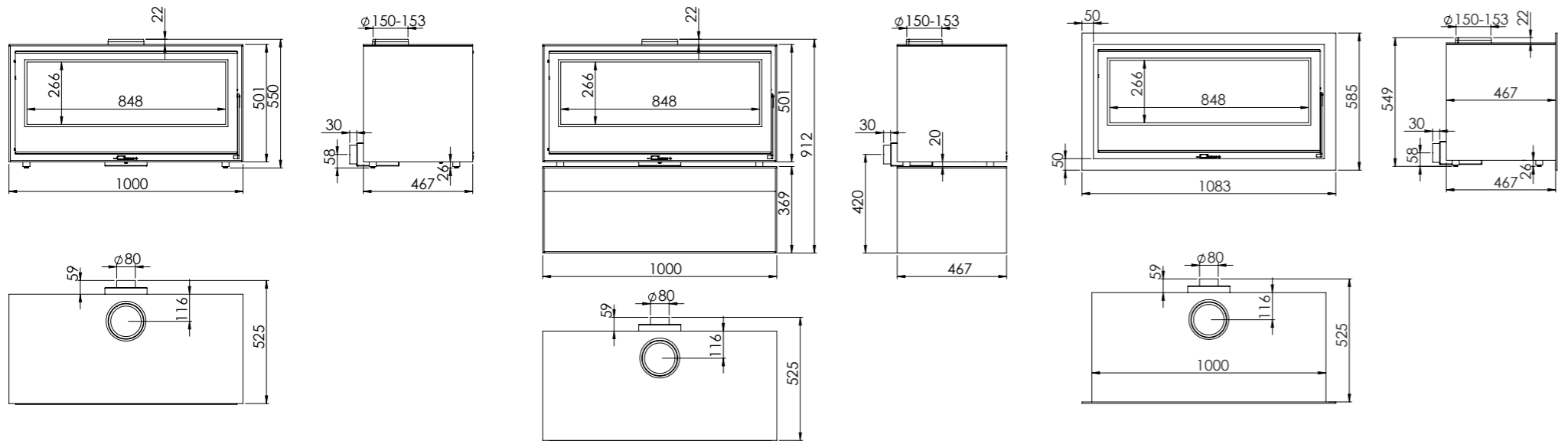
- | | | | |
|---|---------------------|---|---------------------|
|  KW | Nominal heat output |  | Wood logs storage |
|  | Efficiency |  | Tinted glass panel |
|  | Heating volume |  | Oven |
|  | Double lock |  | External air intake |
|  | Vermiculite lining |  | Double steel sheet |
|  | Clean glass |  | Energy Label |
|  | Double combustion |  | Energy Label + |
|  | Triple combustion |  | CO Emissions |
|  | Tangential fan |  | Dust emissions |
|  | Wood logs |  | OGC Emissions |
|  | Air ducting |  | NOx Emissions |



Index

- 6 EBANO
- 8 QUERCUS
- 10 WENGUE
- 12 SEQUOIA
- 14 WILLOW
- 16 WILLOW Stand
- 18 FICUS
- 20 YUCCA
- 22 I - 70 / I - 80

8,9 KW
 80,8 %
 270 m³
 1250 CO (mg/m³)
 30 PM (mg/m³)
 70 OGC (mg/m³)
 160 NOx (mg/m³)
 V











KG 197

EBANO
REF. 23016 / EAN 8426964230161



KG 263

EBANO STORE
REF. 23015 / EAN 8426964230154

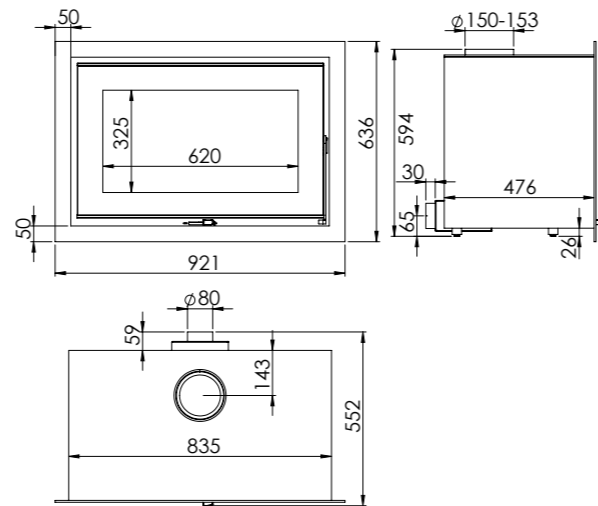
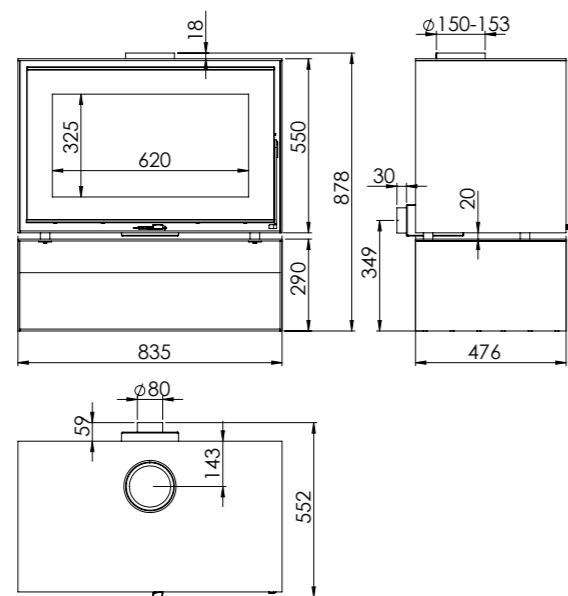
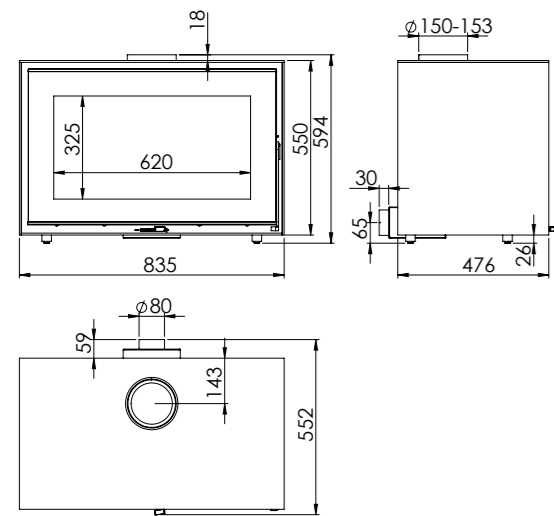


KG 207

INSERT EBANO
REF. 23017 / EAN 8426964230178



EBANO Store



KG 177

QUERCUS
REF. 23020 / EAN 8426964230208



KG 232

QUERCUS STORE
REF. 23021 / EAN 8426964230215









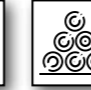

KG 187

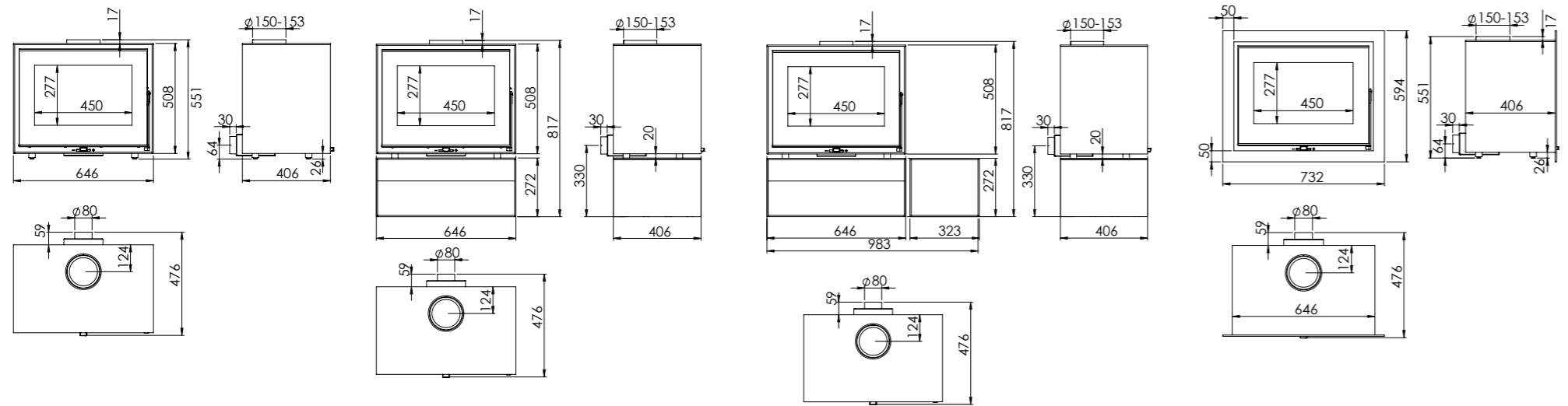
INSERT QUERCUS
REF. 23024 / EAN 8426964230246

QUERCUS Store



QUERCUS EN

6,7 KW
 80,7 %
 210 m³
 1250 CO (mg/m³)
 30 PM (mg/m³)
 70 OGC (mg/m³)
 160 NOx (mg/m³)
 V











KG 115



KG 146



KG 158



KG 125

WENGUE
 REF. 23030 / EAN 8426964230307

WENGUE STORE
 REF. 23031 / EAN 8426964230314

WENGUE ASYMMETRIC STORE
 REF. 23032 / EAN 8426964230321

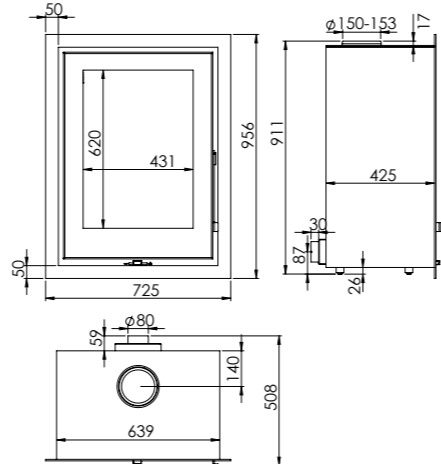
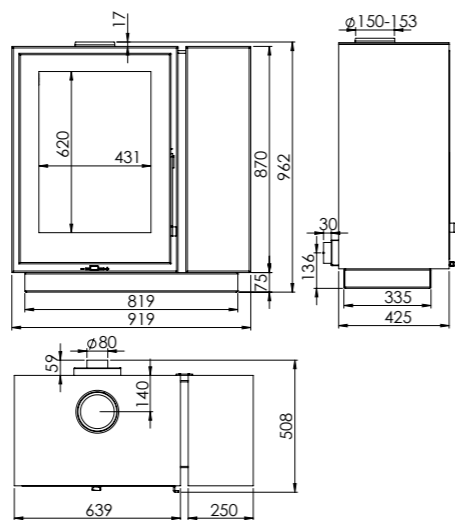
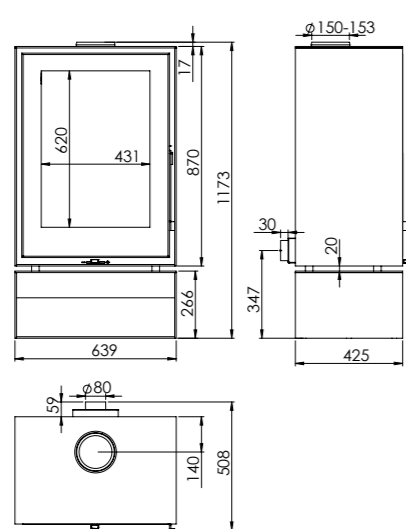
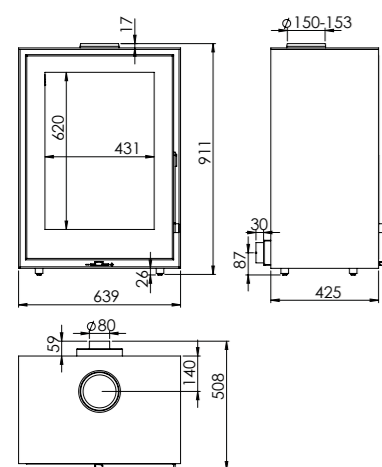
INSERT WENGUE
 REF. 23034 / EAN 8426964230345

WENGUE Store



WENGUE EN

8,7 KW 77 % 260 m³ 1250 CO (mg/m³) 30 PM (mg/m³) 70 OGC (mg/m³) 160 NOx (mg/m³) V



200

SEQUOIA
REF. 23042 / EAN 8426964230420



219

SEQUOIA STORE
REF. 23040 / EAN 8426964230406



225

SEQUOIA SIDE STORE
REF. 23041 / EAN 8426964230413



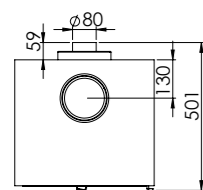
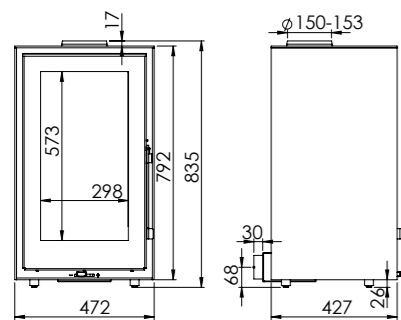
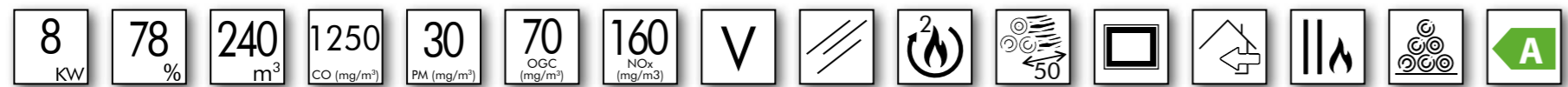
210

INSERT SEQUOIA
REF. 23044 / EAN 8426964230444

SEQUOIA Store

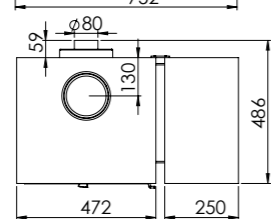
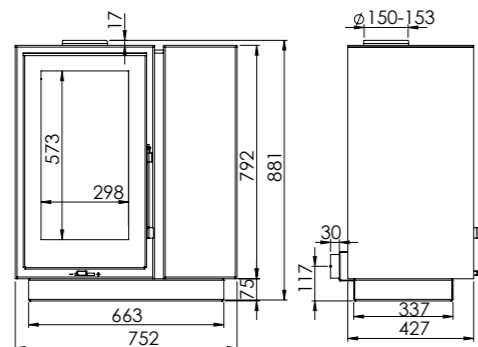


SEQUOIA EN



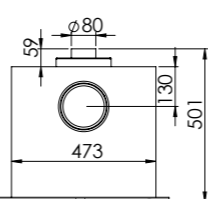
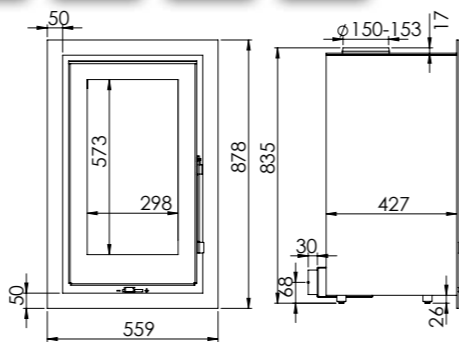
KG 155

WILLOW
REF. 23050 / EAN 8426964230505



KG 191

WILLOW STORE
REF. 23052 / EAN 8426964230529



KG 165

INSERT WILLOW
REF. 23054 / EAN 8426964230543

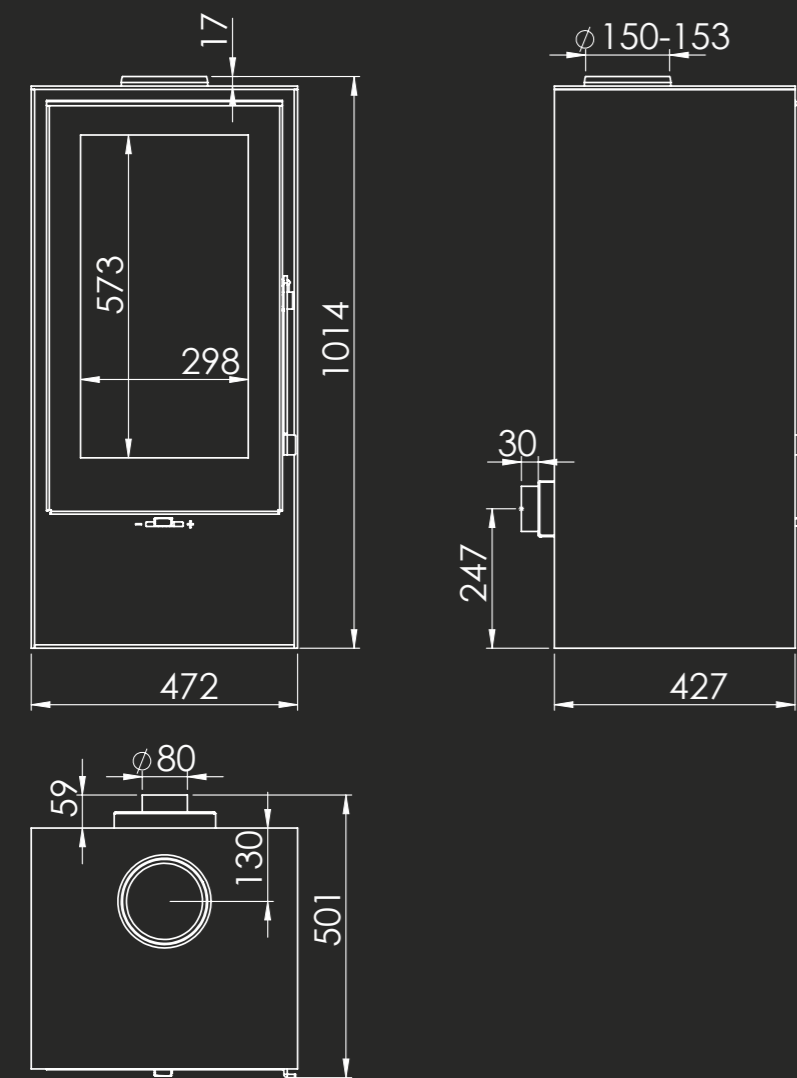


WILLOW



WILLOW EN

- 8 kW
- 78 %
- 240 m³
- 1250 CO (mg/m³)
- 30 PM (mg/m³)
- 70 OGC (mg/m³)
- 160 NO_x (mg/m³)
- V
- 50
- 50
- A



WILLOW Stand



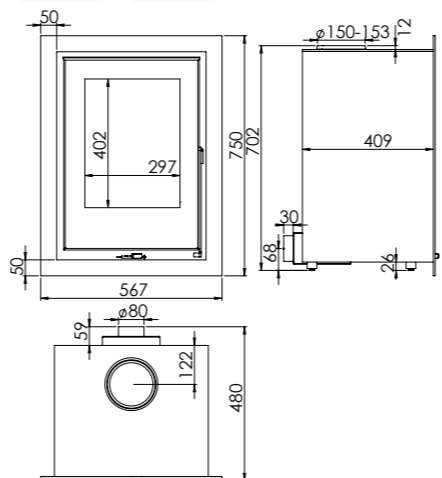
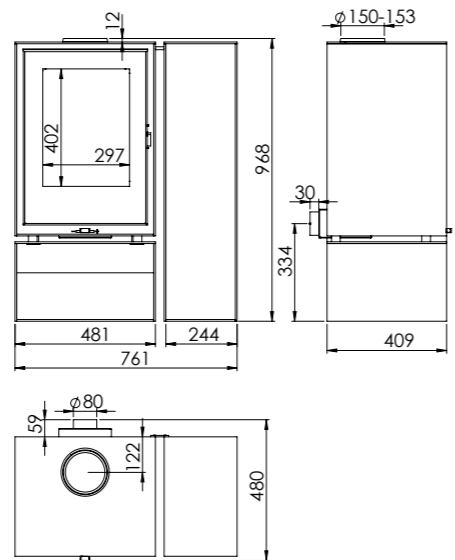
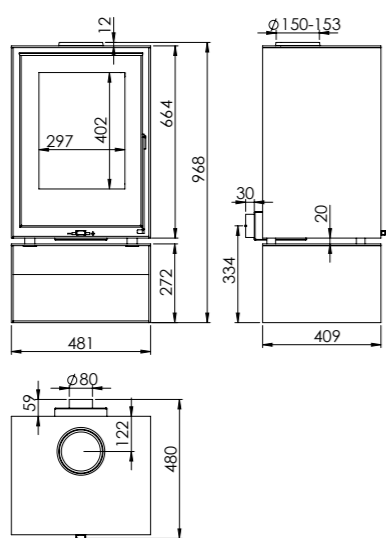
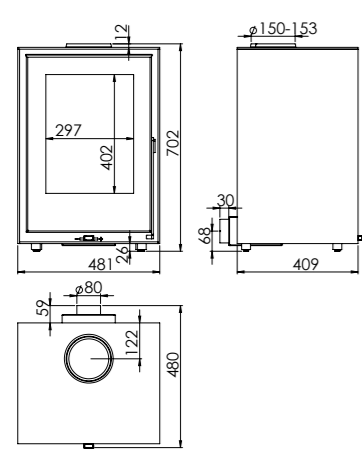
WILLOW STAND
REF. 23051 / EAN 8426964230512

185



WILLOW STAND EN

7,5 KW
 80,7 %
 230 m³
 1250 CO (mg/m³)
 30 PM (mg/m³)
 70 OGC (mg/m³)
 160 NO_x (mg/m³)
 V



KG 137

FICUS
REF. 23062 / EAN 8426964230628



KG 147

FICUS STORE
REF. 23060 / EAN 8426964230604



KG 160

FICUS SIDE STORE
REF. 23061 / EAN 8426964230611



KG 147

INSERT FICUS
REF. 23064 / EAN 8426964230642

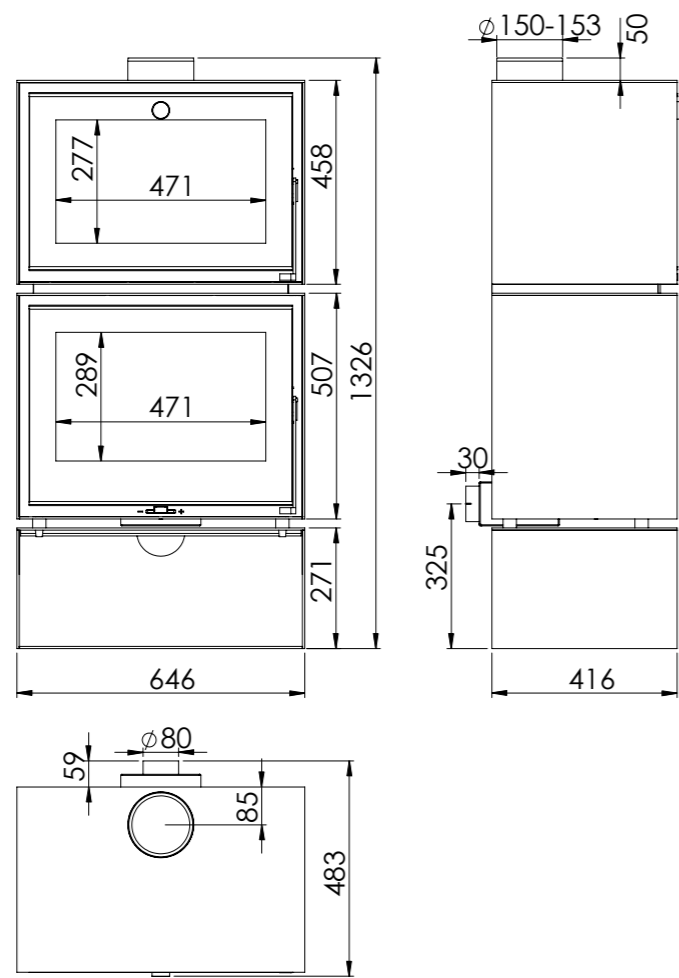
FICUS Store





KG 210

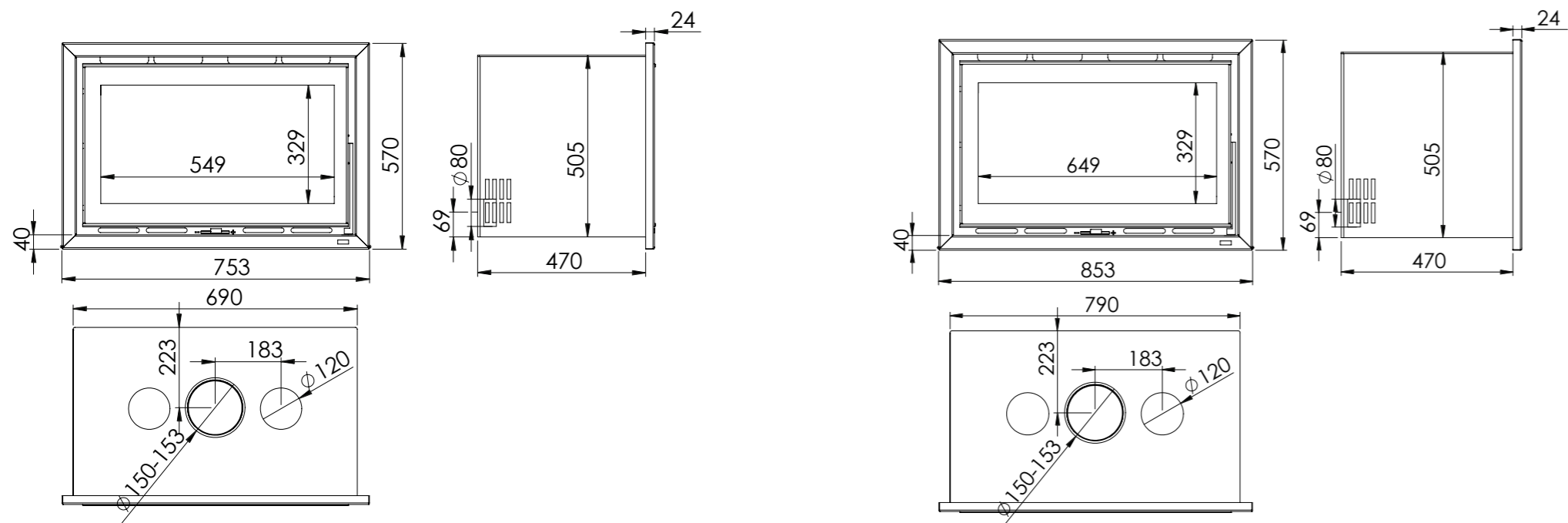
YUCCA
REF. 23100 / EAN 8426964231007



YUCCA EN

YUCCA





I-70 105
 REF. 23075 / EAN 8426964230758



I-80 113
 REF. 23085 / EAN 8426964230857

I-70 / I-80







The 'KUNST' logo is positioned in the bottom left. It features a stylized flame icon to the left of the word 'KUNST', which is written in a bold, white, sans-serif font with a horizontal line underneath.

Tel.: +34 967 592 400
www.kunststoves.com
info@kunststoves.com

